



CIVIL & AGRICULTURAL & ENVIRONMENTAL
 GA CORP# D419099
 FL CORP# F0400002135
 P.O. Box 2830
 3988 Inver Penitentiary Road
 Valdosta, GA 31604
 Telephone: 229-253-0900
 Fax: 229-253-1812
 E-mail: lea@leapc.com

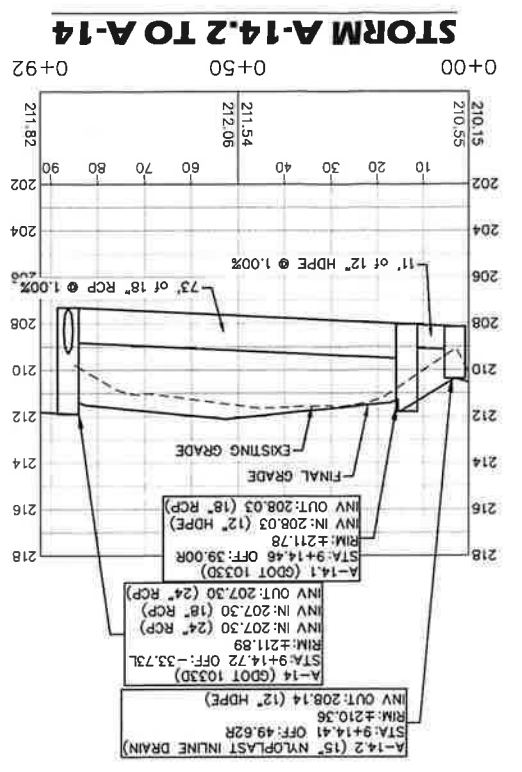
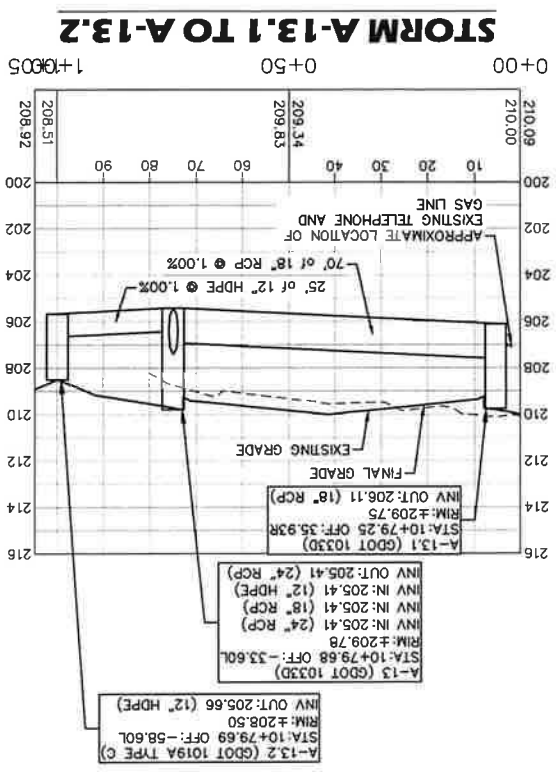
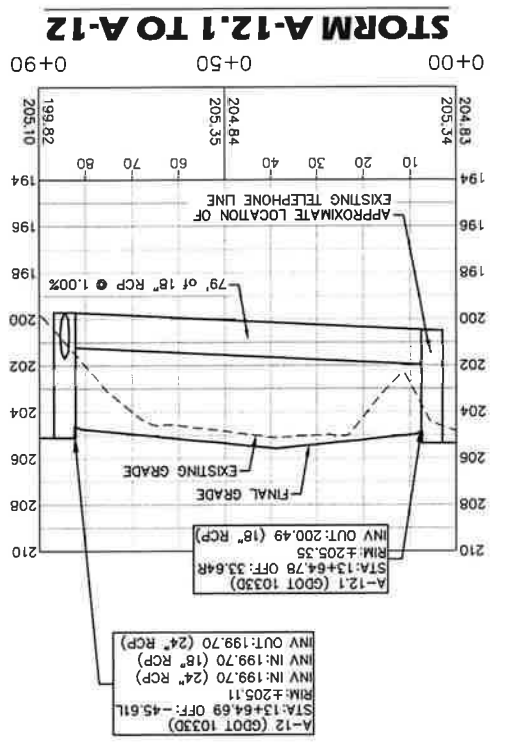
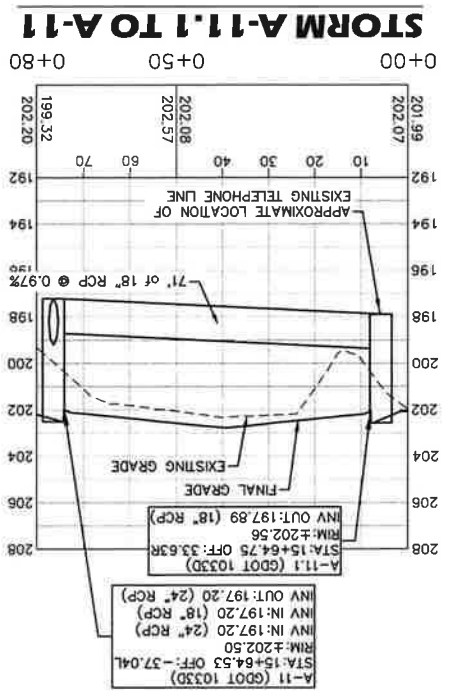
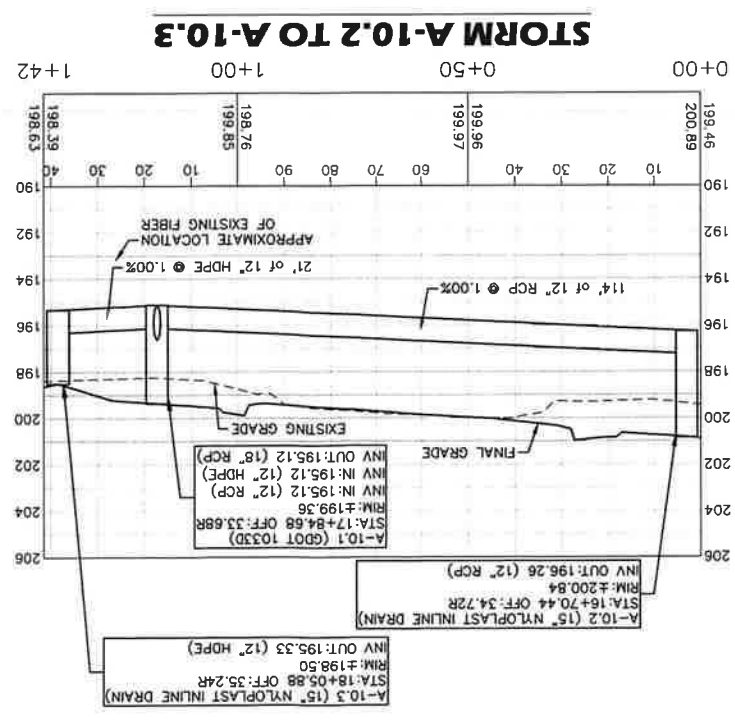
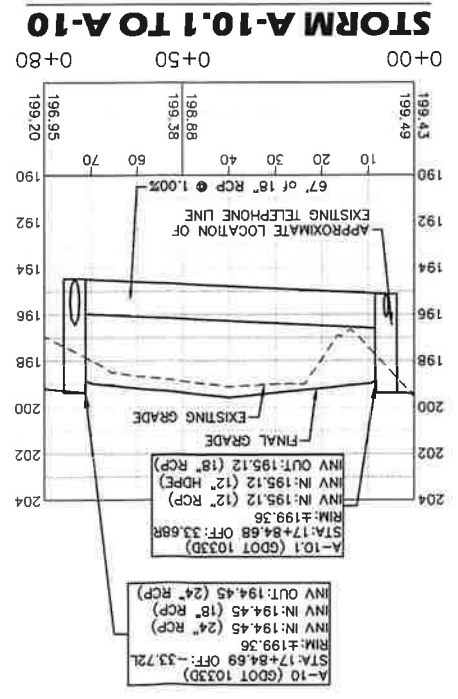
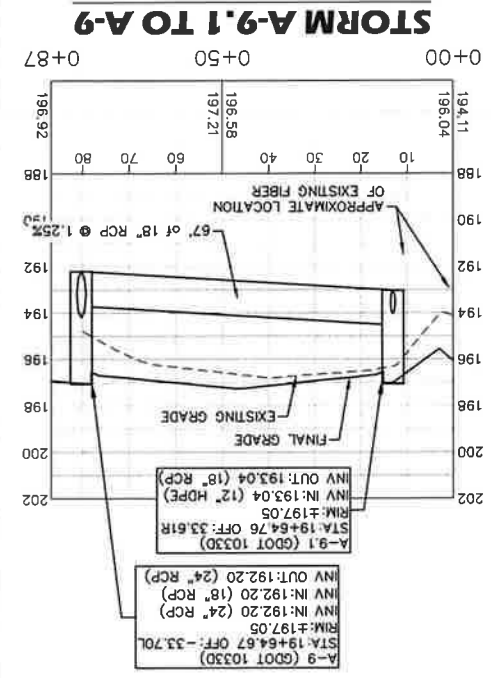
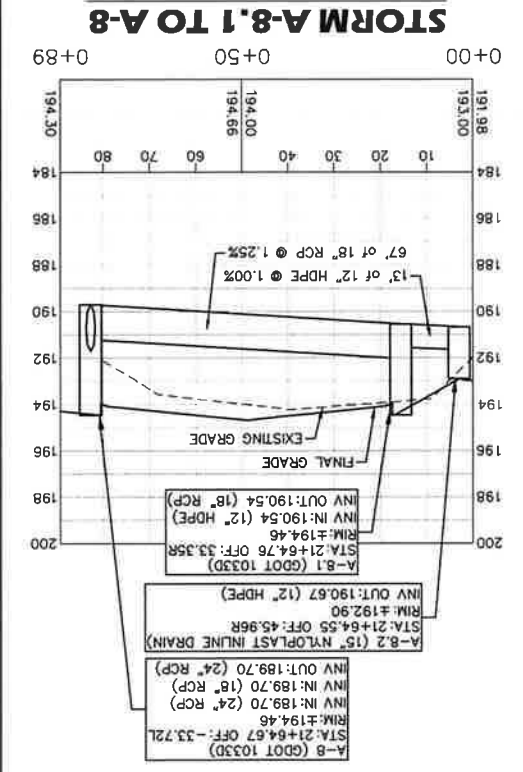
OLD CLAYVILLE ROAD WIDENING
PI#0016285
 LAND LOT 64 & 29 OF THE
 11TH LAND DISTRICT
 CITY OF VALDOSTA
 LOWMEDE COUNTY
 STATE OF GEORGIA

REVISIONS	DATE	DESCRIPTION

SCALE: 1" = 20'
 DESIGNED BY: DEB
 CHECKED BY: MCM
 SUBMITTAL DATE: 03-24-23
 JOB NO. 002640
 THESE DRAWINGS ARE THE PROPERTY OF THE ENGINEER AND SHALL NOT BE REPRODUCED OR USED WITHOUT PERMISSION AND CREDIT.
 © LEA, INC. 2023



22-005
 DRAINAGE PROFILES
 26 OF 74 SHEETS



GRAPHIC SCALE
 1 INCH = 20 FEET (HORIZONTAL)
 1 INCH = 4 FEET (VERTICAL)