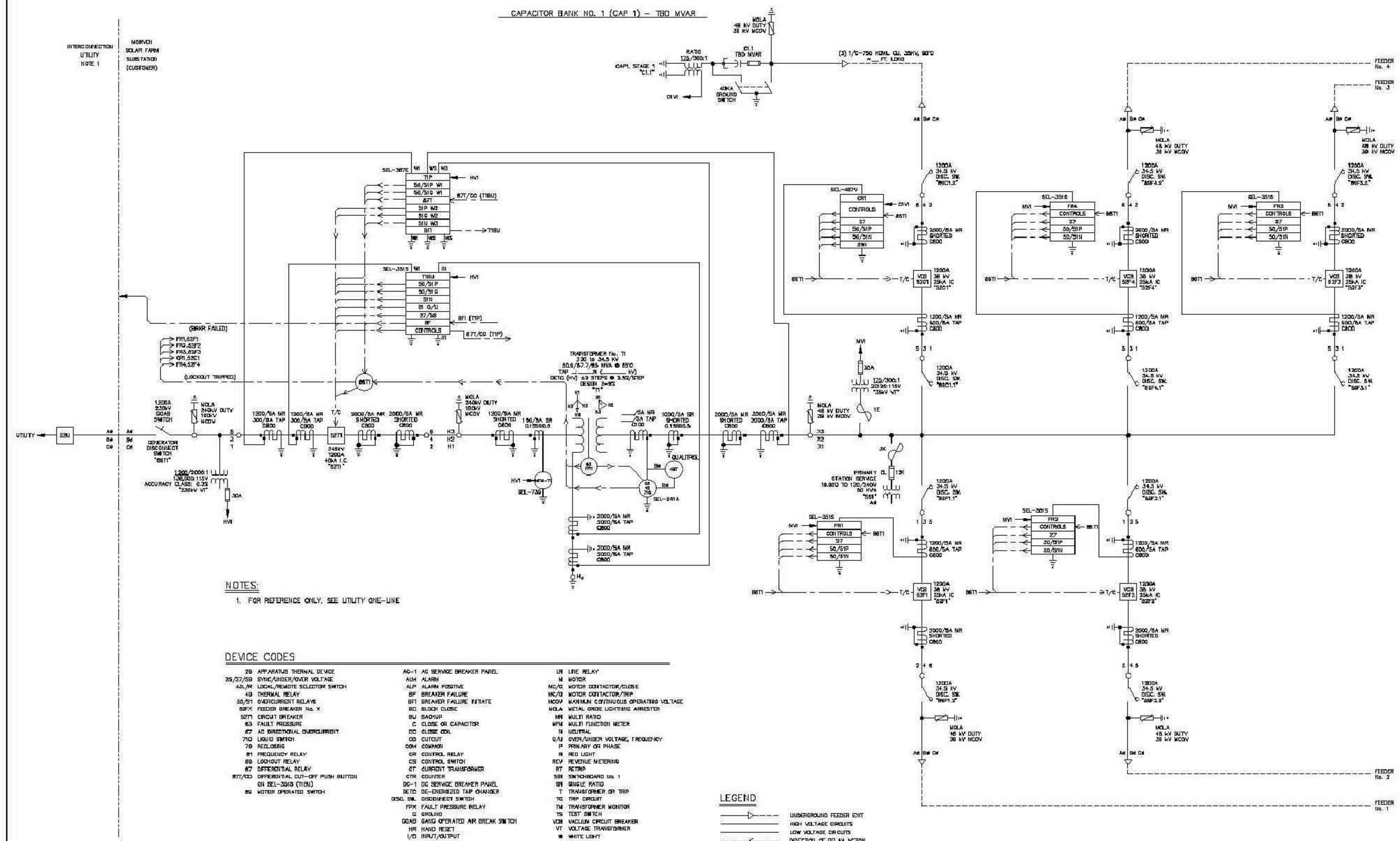


Mike Clements  
2022.02.25 13:59:57 -05'00'

NOT FOR CONSTRUCTION  
(E-02/24/22)

NO.	DATE	DESCRIPTION
1	12/14/2022	ISSUED FOR INTERCONNECTION
2	12/28/2022	UPDATED FOR INTERCONNECTION

PROJECT NAME:	<b>MORVEN SOLAR, LLC 230 TO 34.5 KV SUBSTATION</b>
DRAWING TITLE:	<b>ONE LINE DIAGRAM</b>
DRAWN BY:	DJM
CHECKED BY:	CEM
APPROVED BY:	MLC
DATE:	02/18/2022
SCALE:	NOTED
FILE NUMBER:	888XXE-501
SHEET:	<b>E-501</b>



**NOTES:**  
1. FOR REFERENCE ONLY, SEE UTILITY ONE-LINE

**DEVICE CODES**

2B APPARATUS THERMAL DEVICE	AC-1 AC SERVICE BREAKER PANEL	LR LINE RELAY
25/27/50 SYNC/UNDER/OVER VOLTAGE	ALM ALARM	M MOTOR
43L/R LOCAL/REMOTE SELECTOR SWITCH	ALP ALARM POSITIVE	MC/C MOTOR CONTACTOR/CLOSE
43B THERMAL RELAY	BF BREAKER FAILURE	MC/T MOTOR CONTACTOR/TRIP
50/51 OVERCURRENT RELAYS	BFI BREAKER FAILURE INITIATE	MCOV MOTOR CONTACTOR OPERATING VOLTAGE
50FX FEEDER BREAKER NO. X	BC BLOCK CLOSE	MOLA METAL OXIDE LIGHTNING ARRESTER
50TH CIRCUIT BREAKER	BU BACKUP	MR MULTI RATIO
63 FAULT PRESSURE	C CLOSE OR CAPACITOR	MFM MULTI FUNCTION METER
67 AC DIRECTIONAL OVERCURRENT	CC CLOSE COIL	N NEUTRAL
710 LIQUID SWITCH	OD CUTOFF	O/U OVER/UNDER VOLTAGE, FREQUENCY
7B RELOADING	ODM COMMON	P PRIMARY OR PHASE
81 FREQUENCY RELAY	OR CONTROL RELAY	R RED LIGHT
86 LOCKOUT RELAY	CIS CONTROL SWITCH	REV REVENUE METERING
87 DIFFERENTIAL RELAY	OT CURRENT TRANSFORMER	RT RETRIB
87/CD DIFFERENTIAL OUT-OF-PUSH BUTTON	OTM COUNTER	SRM SINGLEDRAWING No. 1
88 SEL-351S (TIBU)	DC-1 DC SERVICE BREAKER PANEL	ST SINGLE RATIO
89 MOTOR OPERATED SWITCH	DETC DE-ENERGIZED TAP CHANGER	TR TRANSFORMER OR TRIP
	DISC SW. DISCONNECT SWITCH	TC TRIP CIRCUIT
	FPM FAULT PRESSURE RELAY	TM TRANSFORMER MONITOR
	G GROUND	TS TEST SWITCH
	QOAB GANG OPERATED AIR BREAK SWITCH	VBR VACUUM CIRCUIT BREAKER
	HR HAND RESET	VT VOLTAGE TRANSFORMER
	I/O INPUT/OUTPUT	W WHITE LIGHT

**LEGEND**

	UNDERGROUND FEEDER EXIT
	HIGH VOLTAGE CIRCUITS
	LOW VOLTAGE CIRCUITS
	DIRECTION OF RELAY ACTION

SLD (E-501)  
NOTE: SLD/ ELECTRICAL DESIGN IN COMPLIANCE  
WITH SECTION 9-8.10 (B)(2) OF ORDINANCE

SHEET NAME:  
APPENDIX - SLD 1

SHEET NUMBER:

APP-103